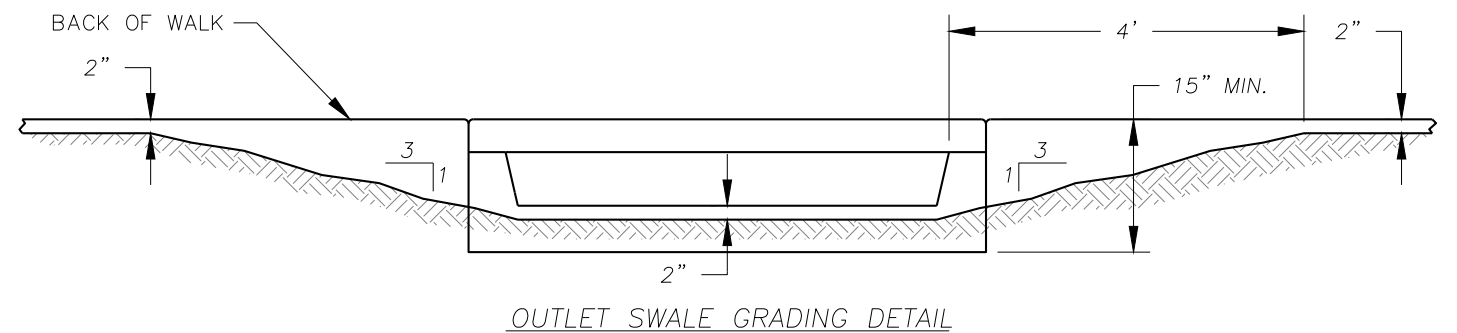
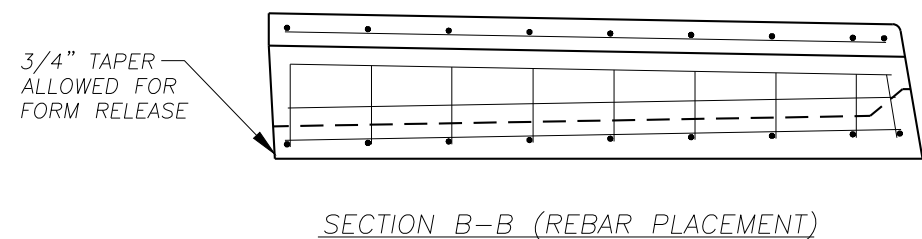
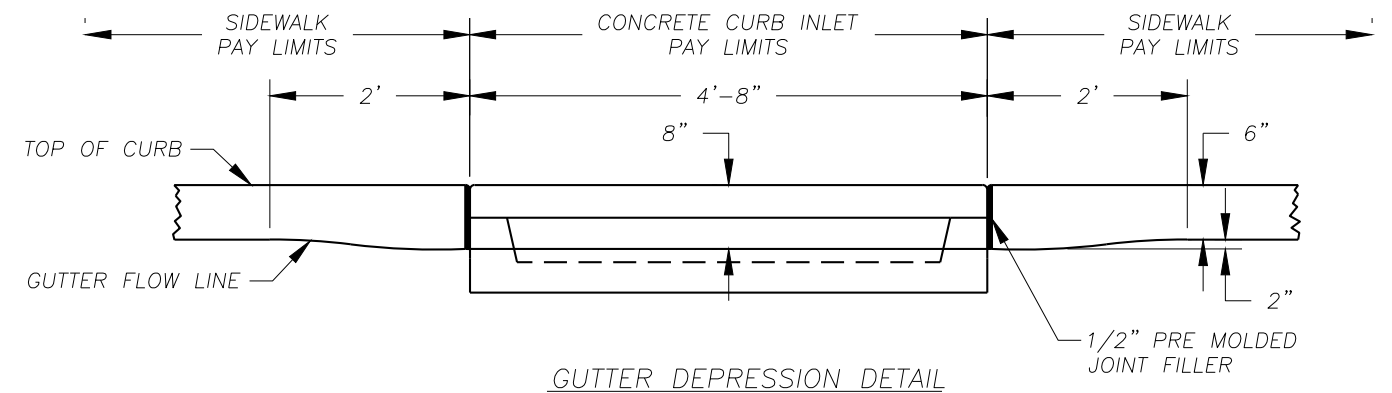
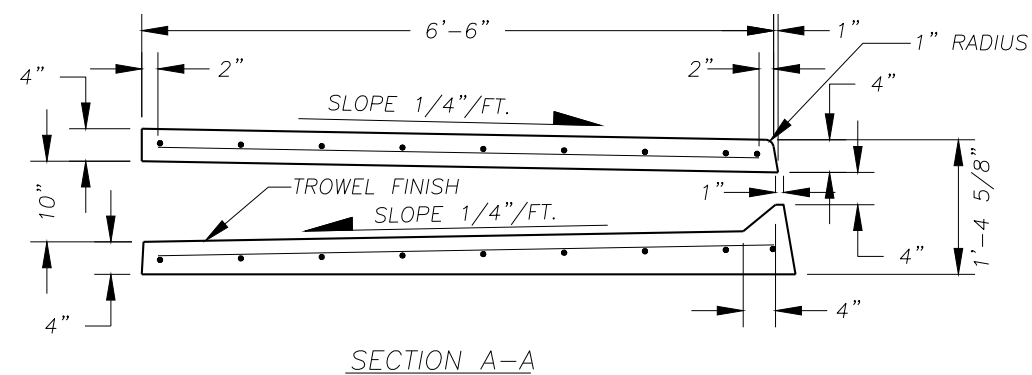
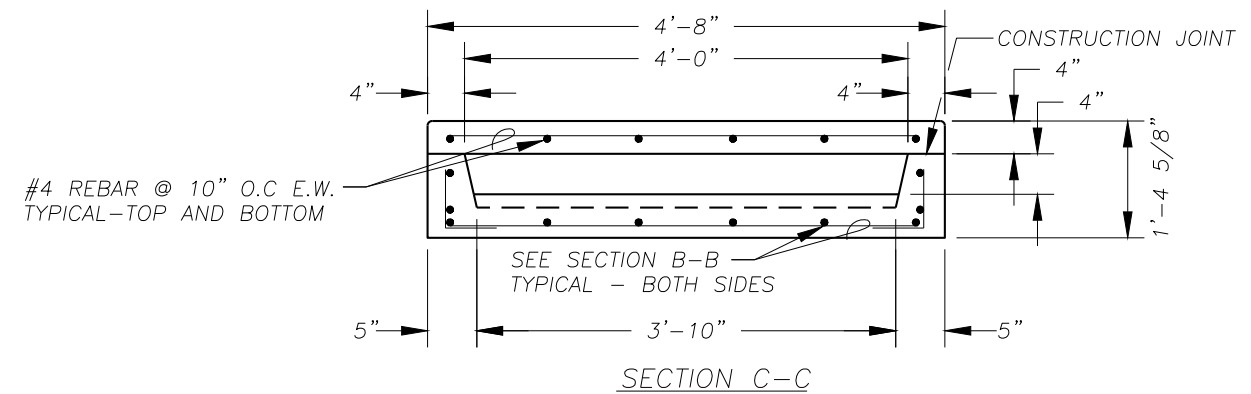


GENERAL NOTES:

1. CURB INLET SHALL BE CONSTRUCTED IN ACCORDANCE WITH ASTM C 478 (AASHTO M-199) & ASTM C 890 UNLESS OTHERWISE SHOWN ON PLANS OR NOTED IN THE PROJECT SPECIAL PROVISIONS.
2. TOP SURFACE TO BE BROOM FINISHED.
3. ALL EXTERNAL EDGES NOT LABELED SHALL BE TROWELLED WITH 1/4" RADIUS EDGER.



NO.	REVISIONS	DATE	BY

DWG: D11.6.DWG



Department of Public Works
CLARK COUNTY
 WASHINGTON
 proud past, promising future

SPECIAL CURB INLET
 OUTLET BEHIND WALK TO SWALE

APPROVED

COUNTY ENGINEER

01/07/16

DATE

STANDARD
D11.6
 DETAIL
 DESIGNED
 DRAWN
 DATE 01/30/15