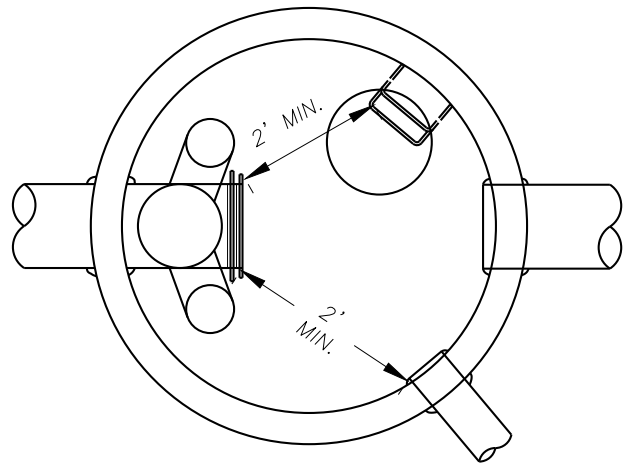
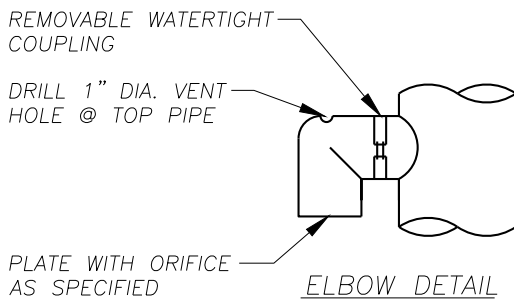


CATCH BASIN TYPE 2

SEE WSDOT STANDARD PLAN B-10.20-00



PLAN

NO.	REVISIONS	DATE	BY

DWG: D8.1.DWG



Department of Public Works
CLARK COUNTY
 WASHINGTON
 proud past, promising future

CATCH BASIN TYPE 2 - FLOW CONTROL MANHOLE TEE TYPE (CONTINUED ON D8.2)

[Signature]
 APPROVED
 COUNTY ENGINEER

01/07/16
 DATE

STANDARD
D8.1
 DETAIL
 DESIGNED
 DRAWN
 DATE 01/30/15