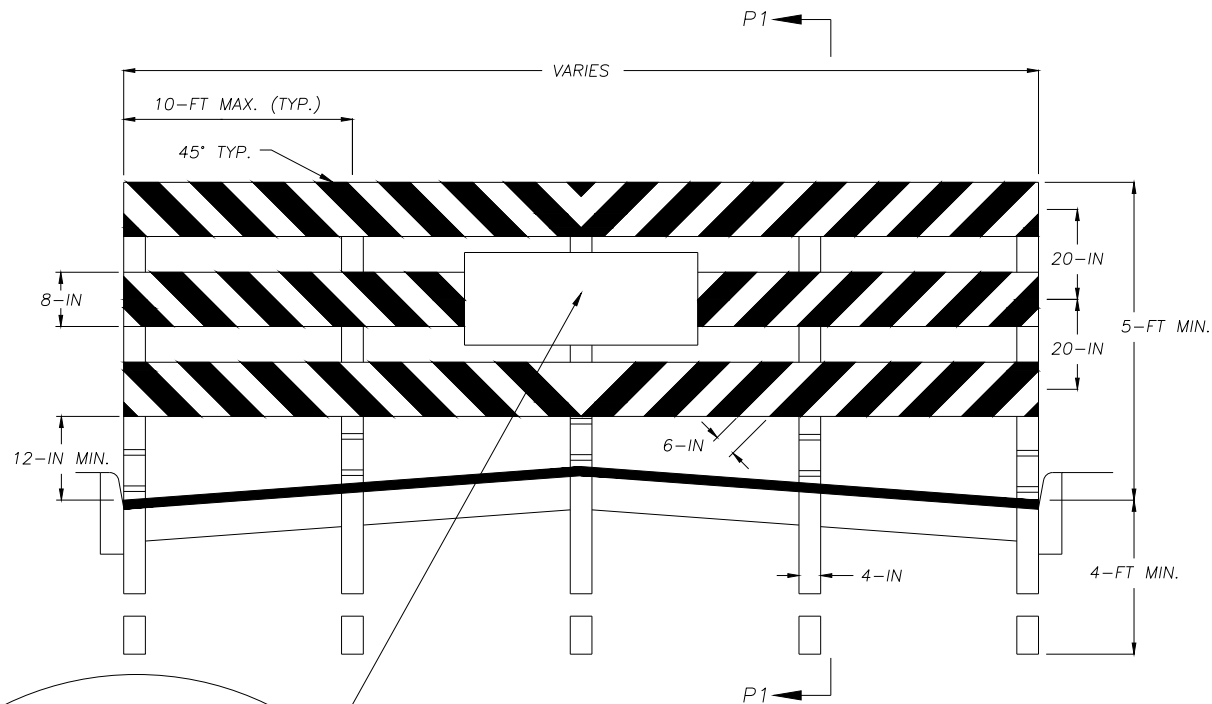
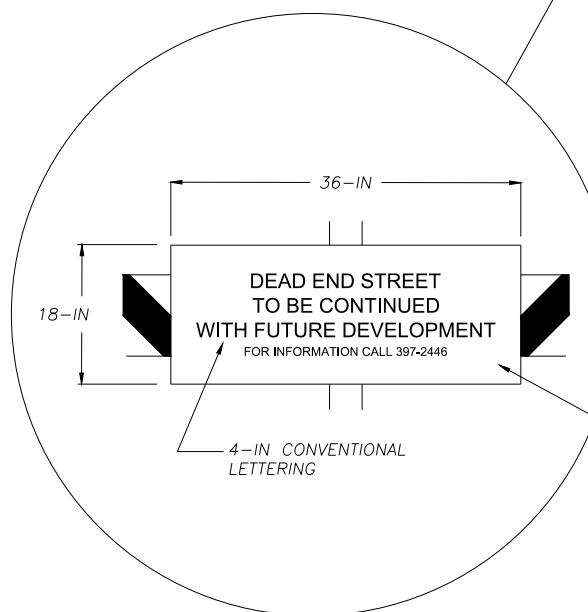
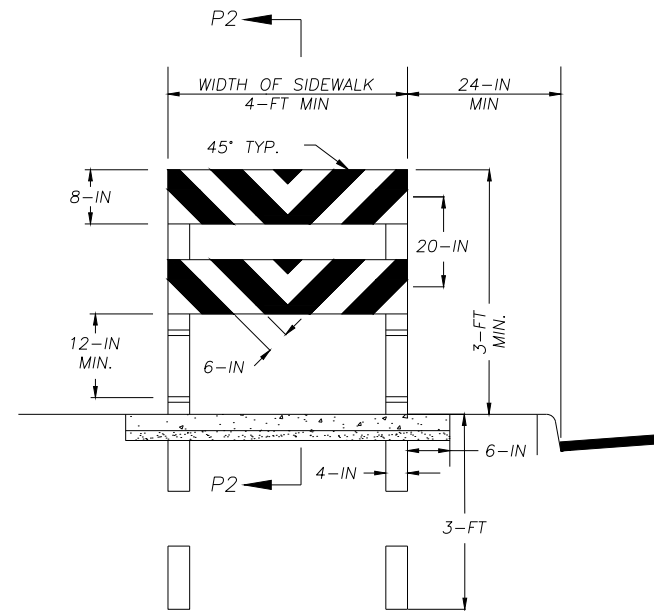


TYPE II AND III BARRICADES

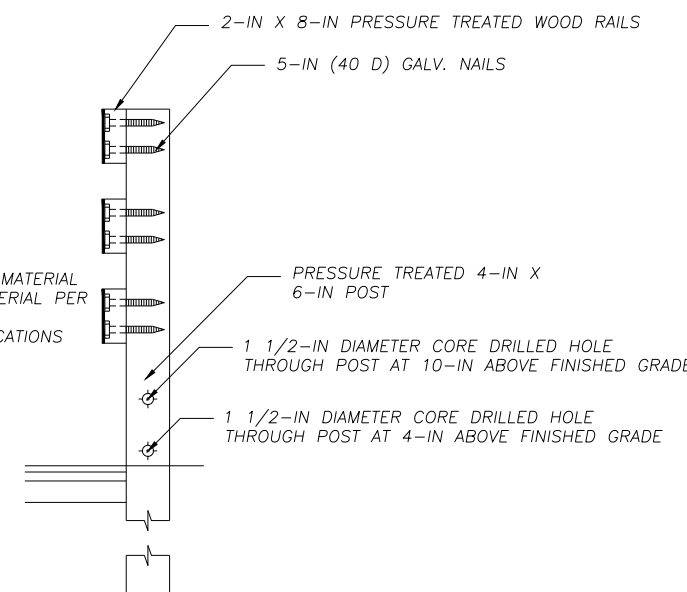
PERMANENT TYPE III BARRICADE



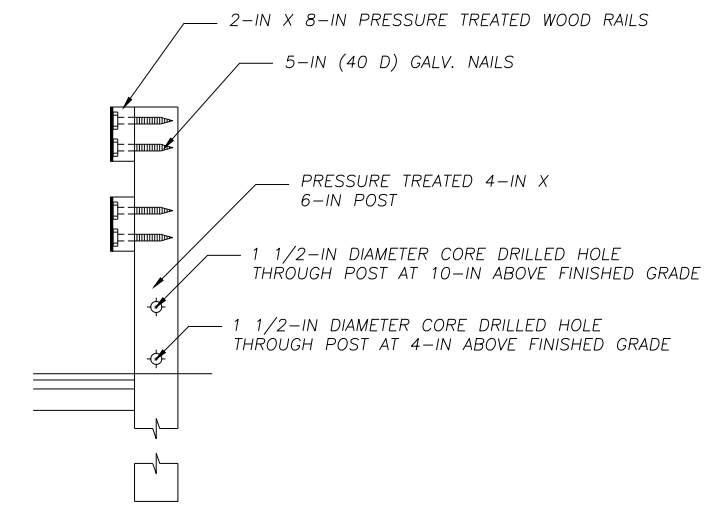
PERMANENT TYPE II BARRICADE



TYPE III SHEETING MATERIAL ON ALUMINUM MATERIAL PER 9-28.8 OF WSDOT STANDARD SPECIFICATIONS



SECTION P1-P1



SECTION P2-P2

NOTES:

1. TYPE III SHEETING MATERIAL SHALL BE INSTALLED ON 7 3/4-IN X 48-IN PANELS MADE OF 0.063-IN ALUMINUM SHEETING MATERIAL PER 9-28.8 OF WSDOT STANDARD SPECIFICATIONS. STRIPING SHALL BE ALTERNATING RED AND WHITE STRIPES 6" IN WIDTH AT A 45° ANGLE. REFLECTIVE SHEETING MUST BE SECURELY FASTENED TO THE 2x8 PLANKS USING GALVANIZED NAILS, SCREWS, OR 1" STAPLES.
2. THE BARRICADE SHALL CONFORM TO THE MANUAL ON UNIFORM TRAFFIC CONTROL DEVICES.

REV. NO.	DATE	BY	APPR

DWG:



Department of
Public Works
CLARK COUNTY
WASHINGTON
proud past, promising future

TYPE II AND III BARRICADES

APPROVED

[Signature]
COUNTY ENGINEER

07/17/19
DATE

STANDARD T9.0
DETAIL
DESIGNED
DRAWN
DATE