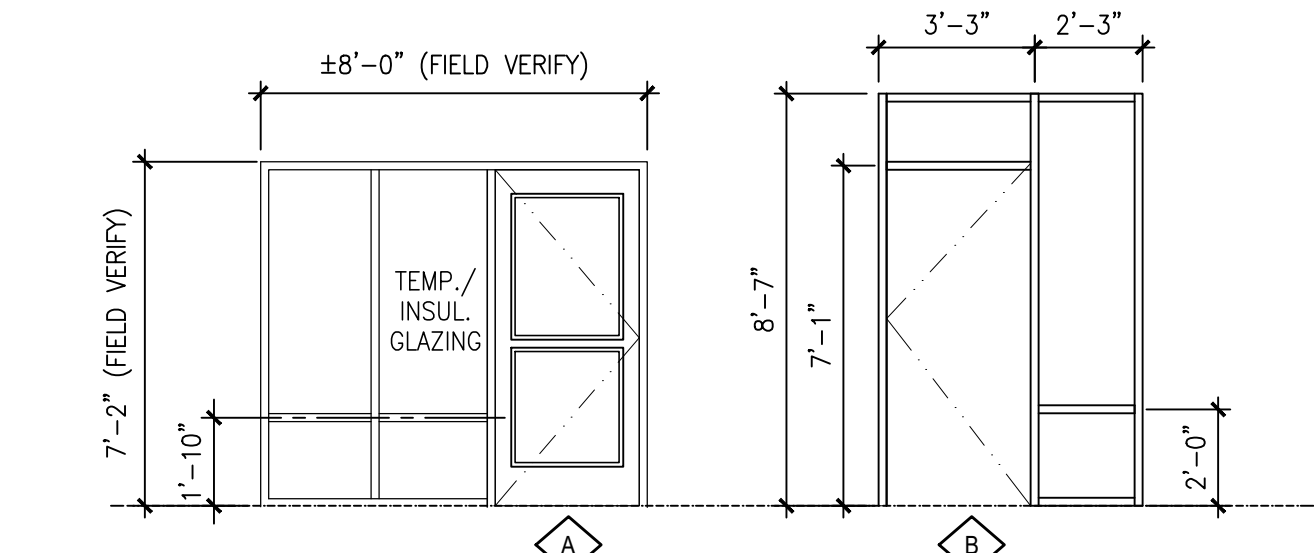
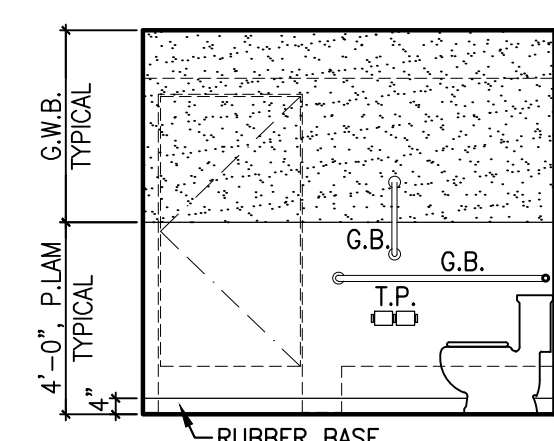


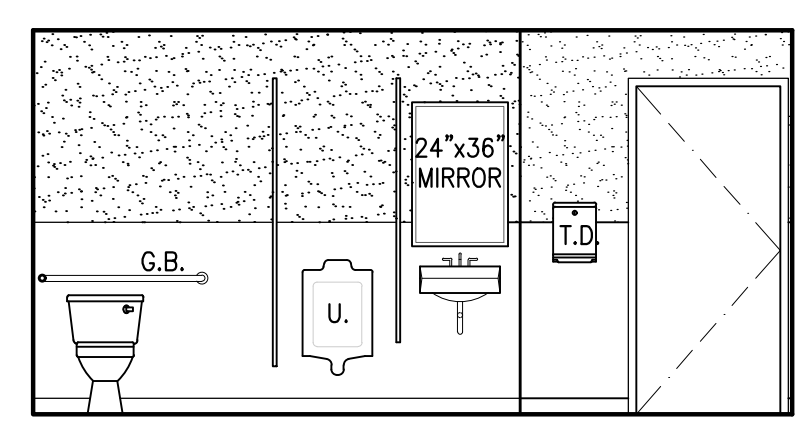
1 DOOR TYPES
Scale: 1/4" = 1'-0"



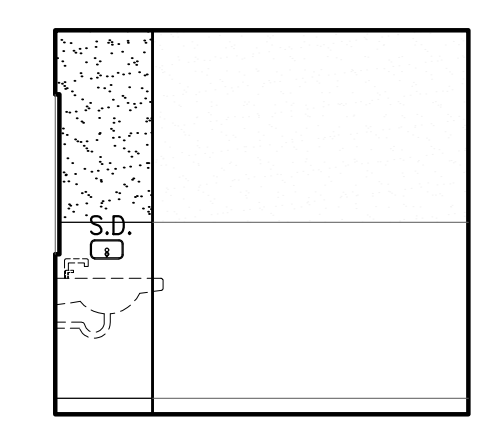
2 STOREFRONT WINDOW SYSTEMS
Scale: 1/4" = 1'-0"



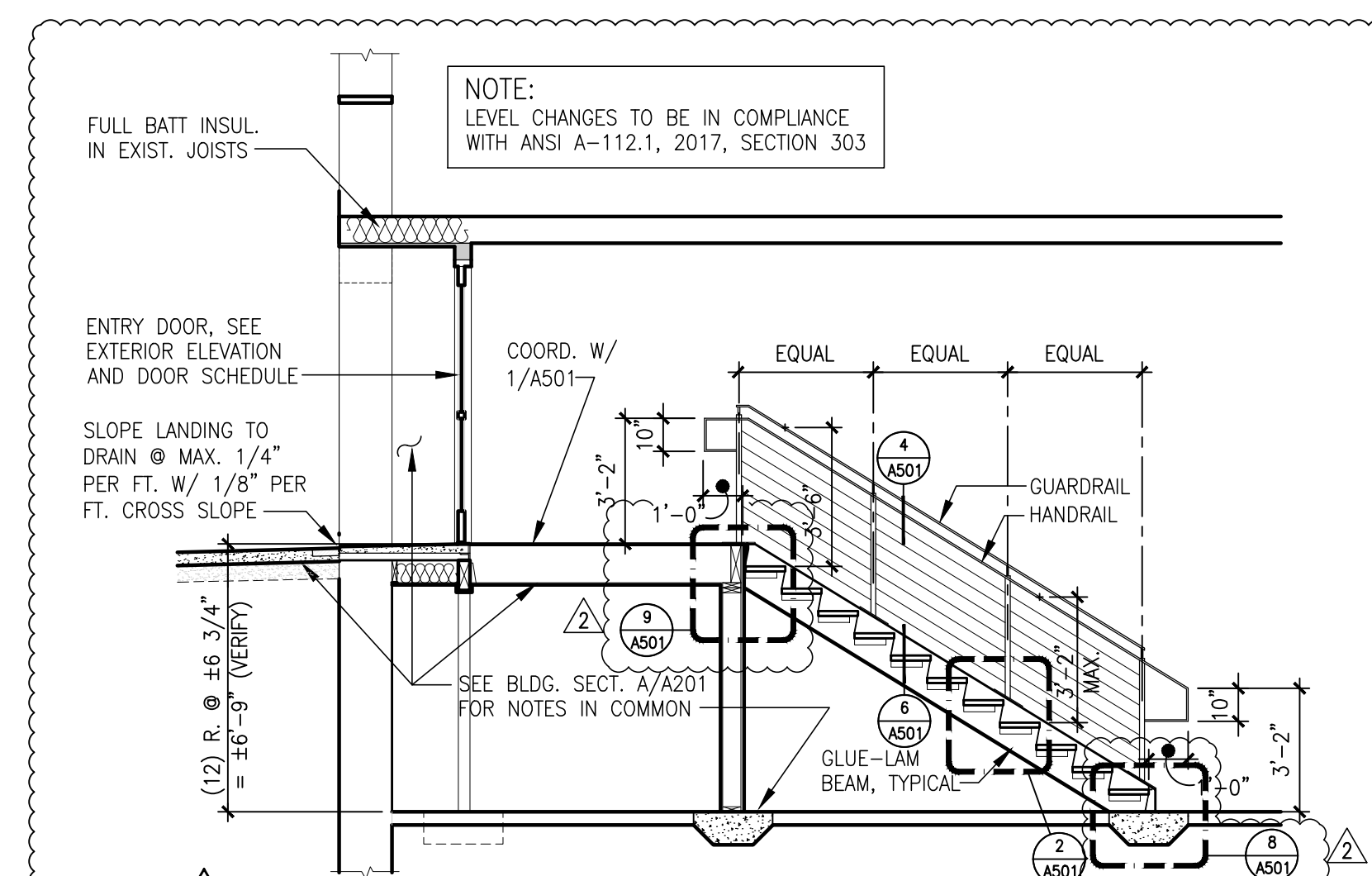
3 MEN'S R.R.
Scale: 1/4" = 1'-0"



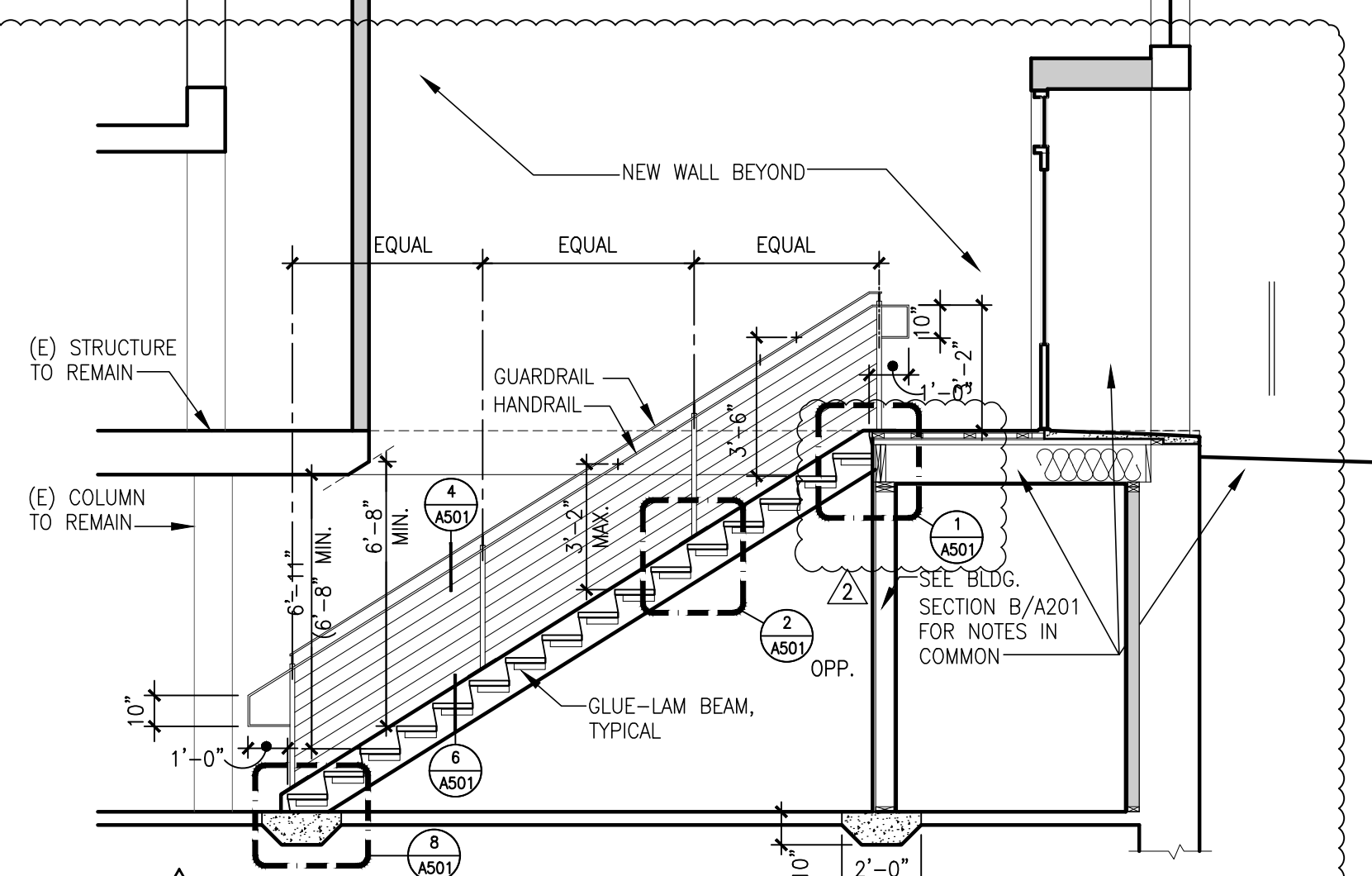
4 MEN'S R.R.
Scale: 1/4" = 1'-0"



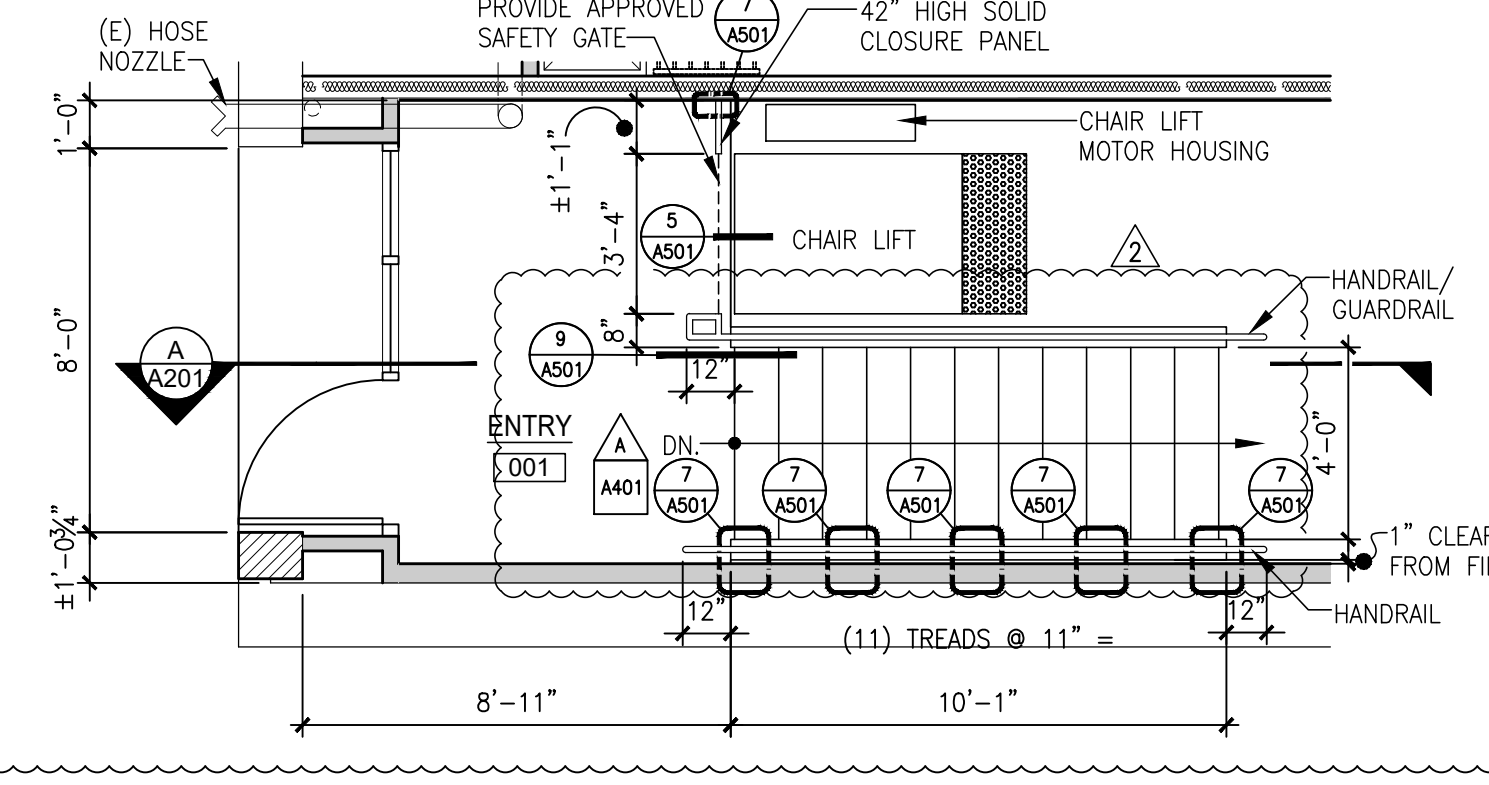
5 MEN'S R.R.
Scale: 1/4" = 1'-0"



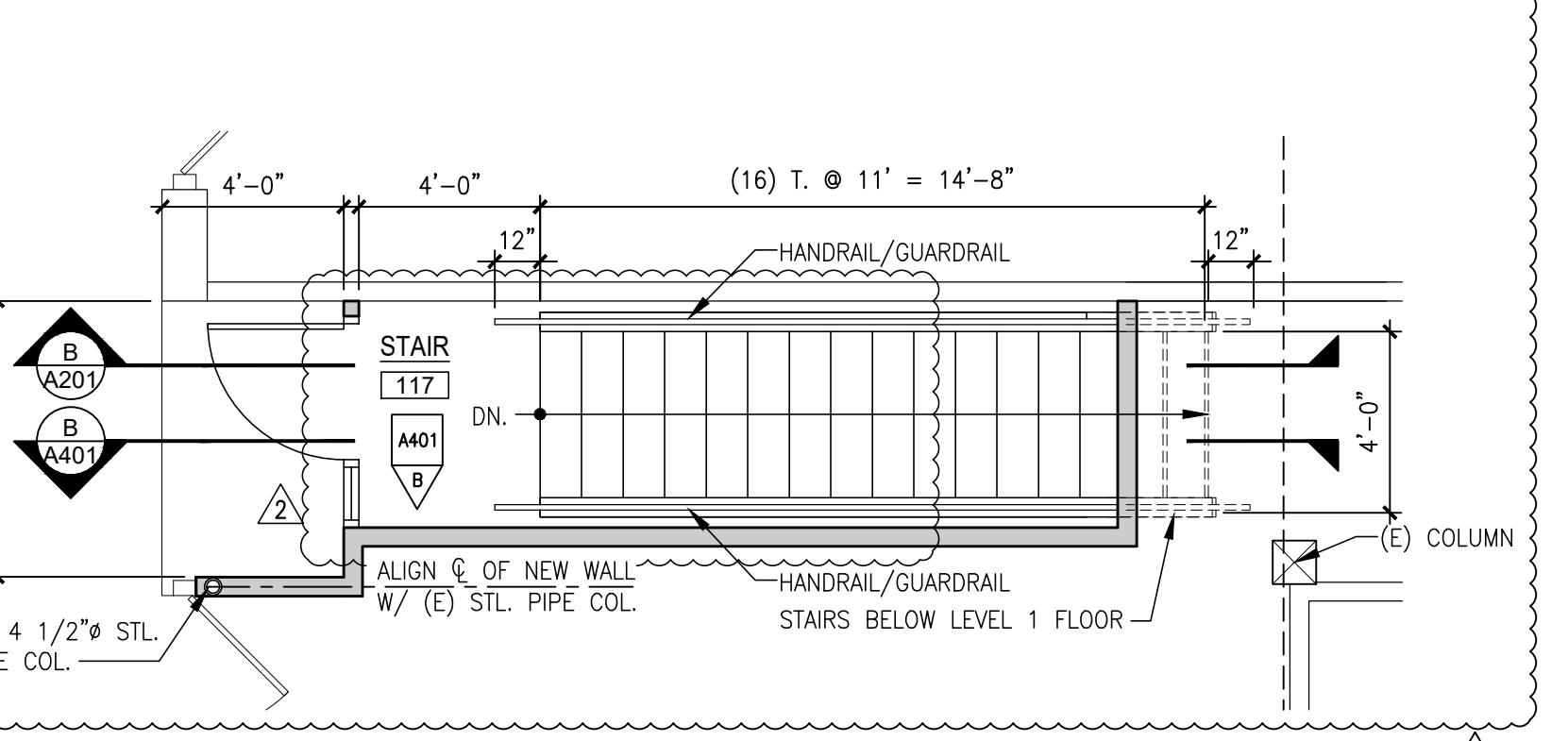
A WEST STAIR ELEVATION / SECTION
Scale: 1/4" = 1'-0"



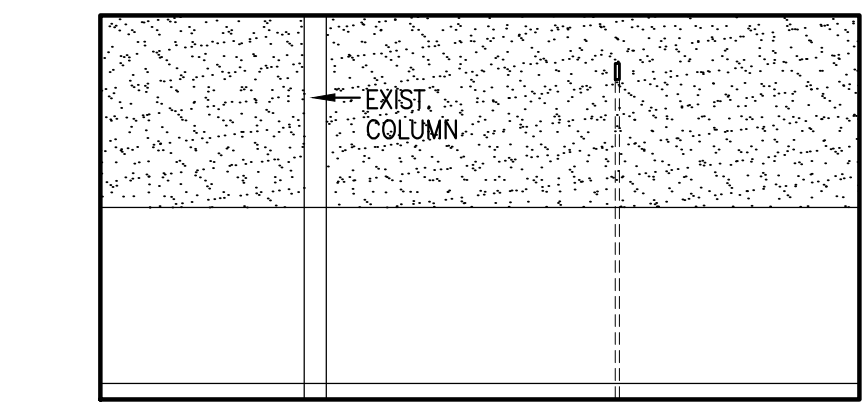
B NORTH STAIR ELEVATION / SECTION
Scale: 1/4" = 1'-0"



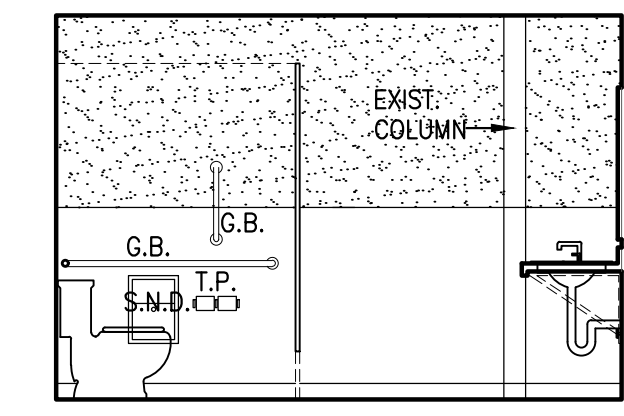
A WEST ENTRY ENLARGED PLAN
Scale: 1/4" = 1'-0"



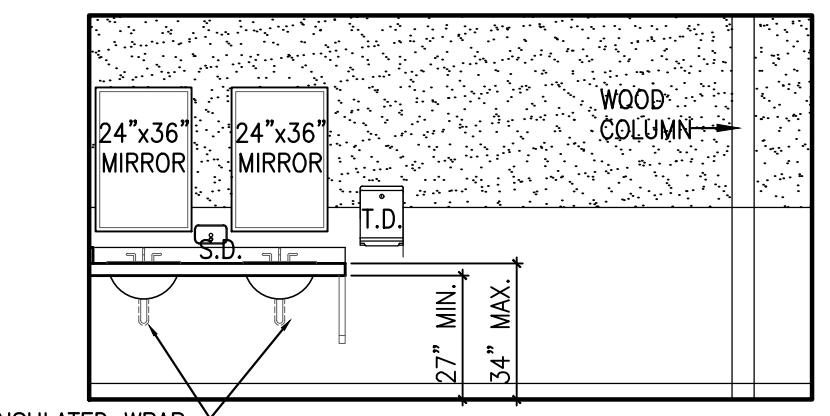
B NORTH ENTRY ENLARGED PLAN (AT LEVEL 1)
Scale: 1/4" = 1'-0"



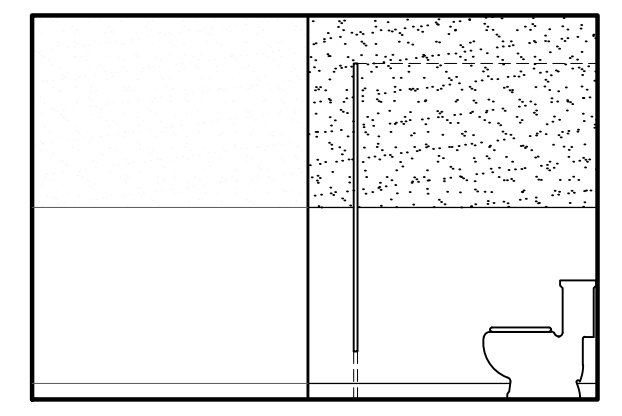
6 MEN'S R.R.
Scale: 1/4" = 1'-0"



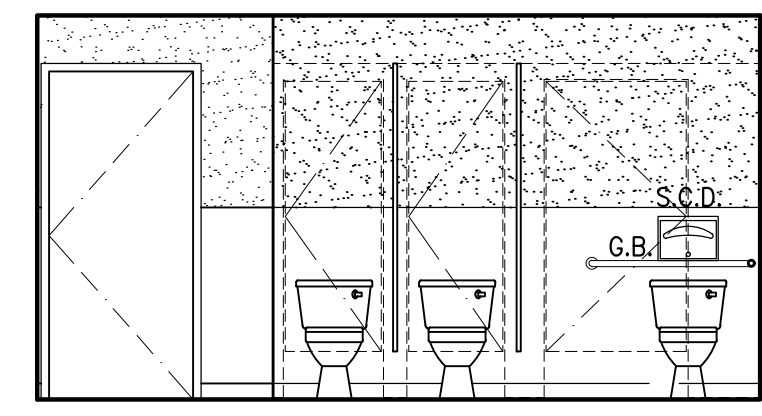
7 WOMEN'S R.R.
Scale: 1/4" = 1'-0"



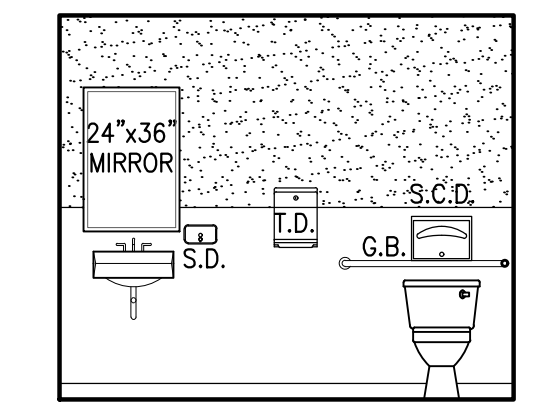
8 WOMEN'S R.R.
Scale: 1/4" = 1'-0"



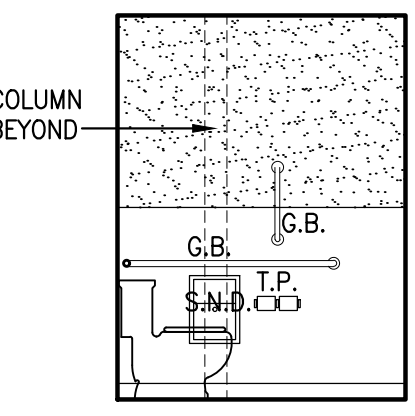
9 WOMEN'S R.R.
Scale: 1/4" = 1'-0"



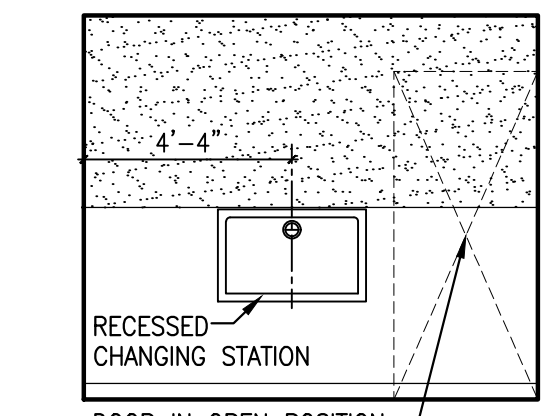
10 WOMEN'S R.R.
Scale: 1/4" = 1'-0"



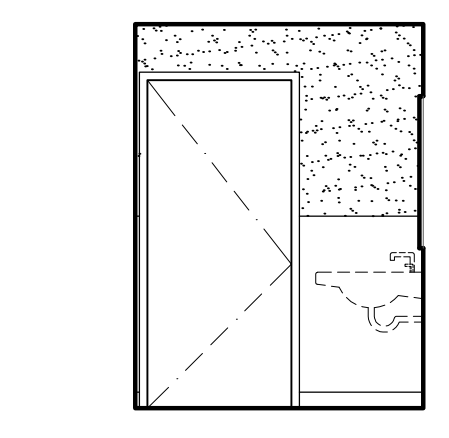
11 UNISEX R.R.
Scale: 1/4" = 1'-0"



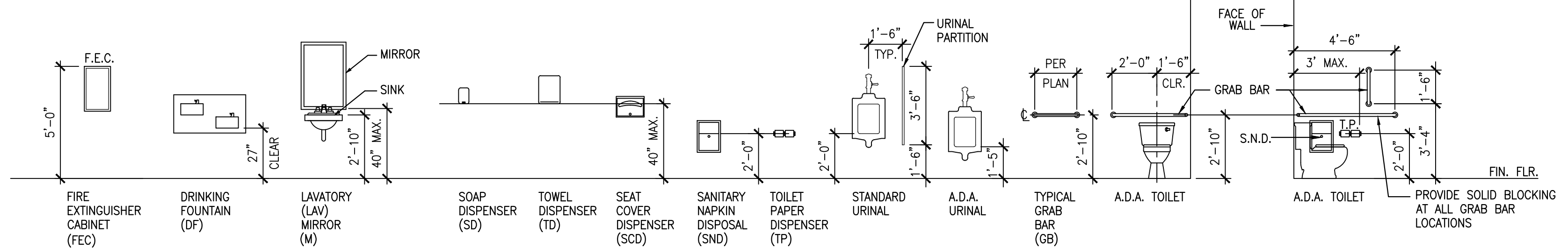
12 UNISEX R.R.
Scale: 1/4" = 1'-0"



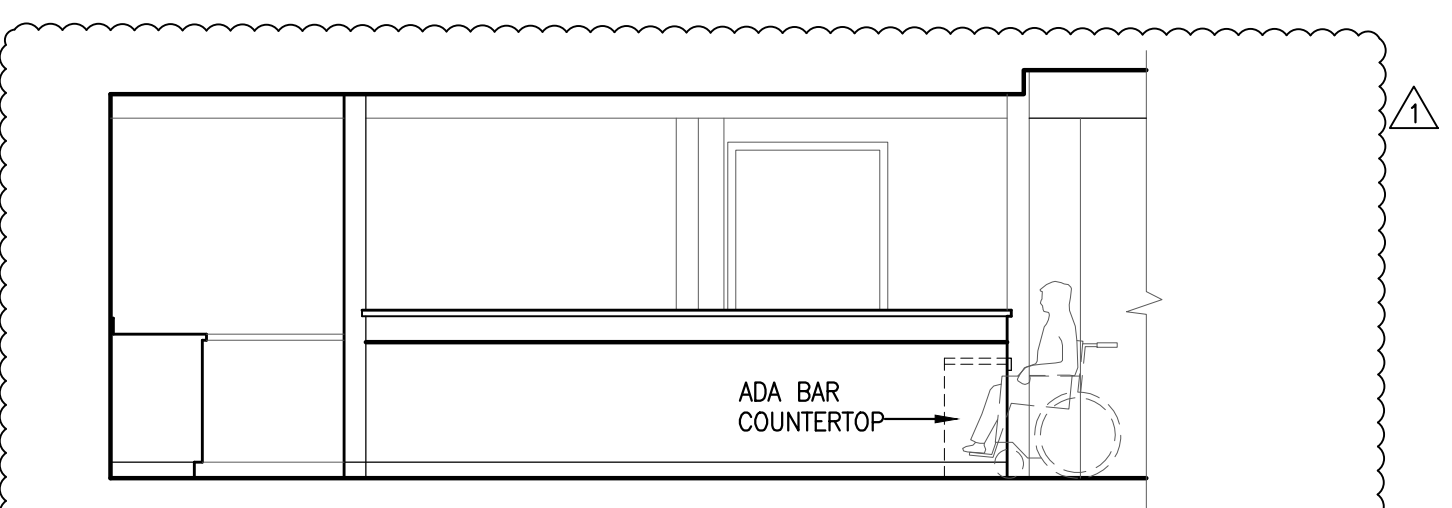
13 UNISEX R.R.
Scale: 1/4" = 1'-0"



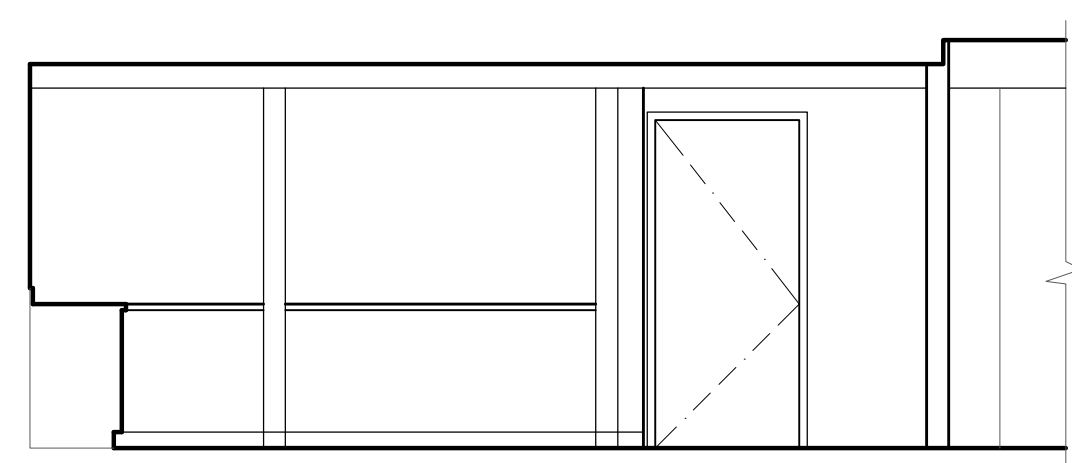
14 UNISEX R.R.
Scale: 1/4" = 1'-0"



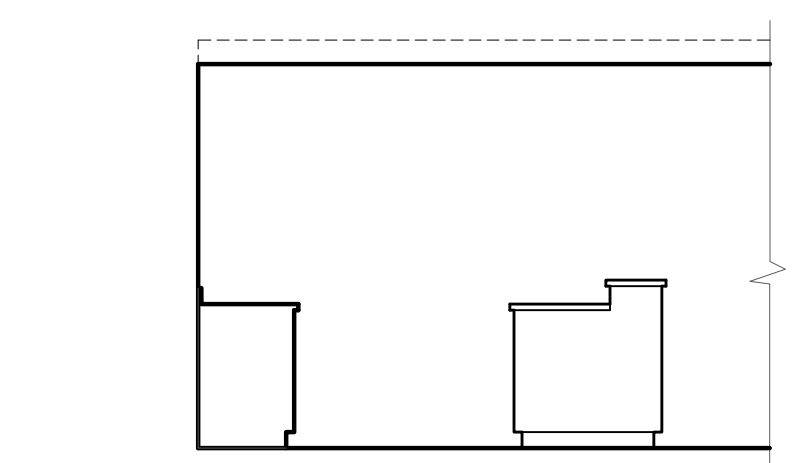
15 TYPICAL MOUNTING HEIGHTS (UNLESS NOTED OTHERWISE)



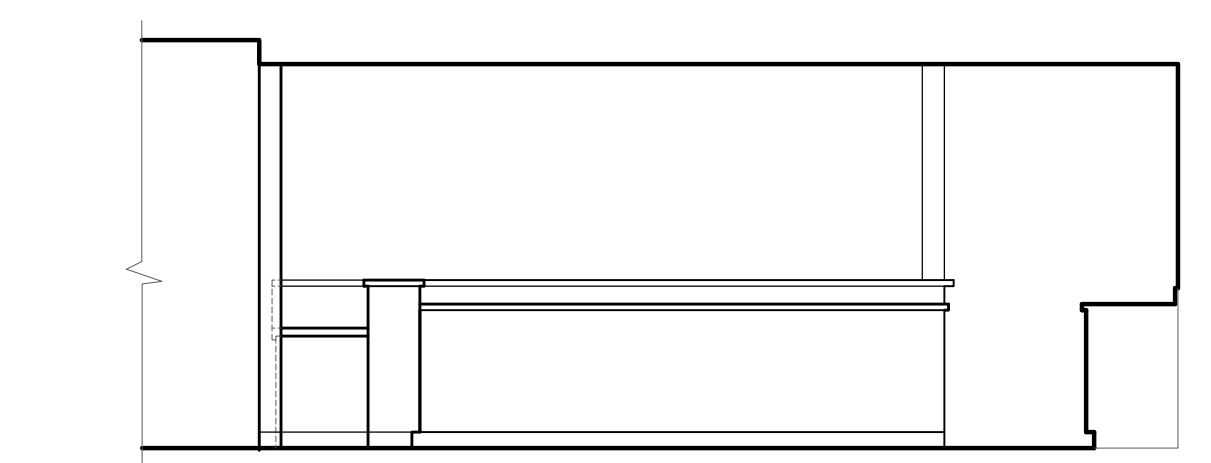
16 BAR
Scale: 1/4" = 1'-0"



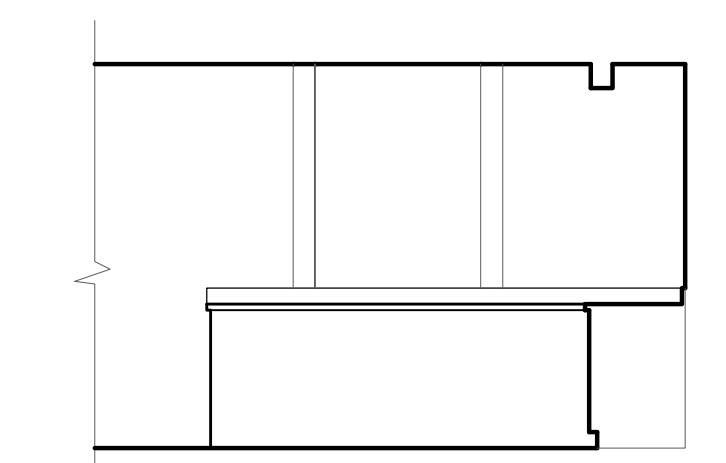
17 BAR
Scale: 1/4" = 1'-0"



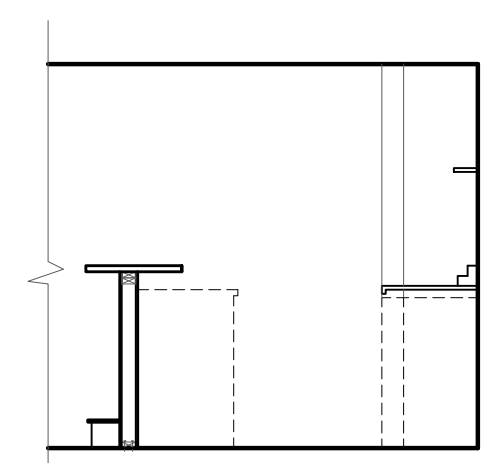
18 BAR
Scale: 1/4" = 1'-0"



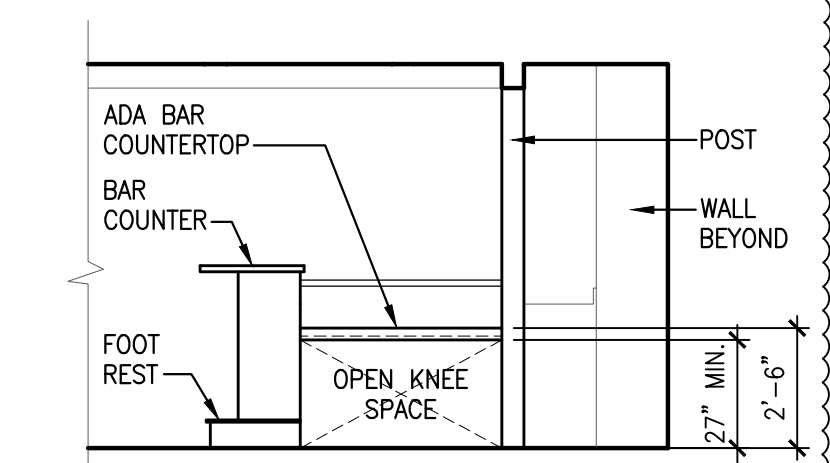
19 BAR
Scale: 1/4" = 1'-0"



20 BAR
Scale: 1/4" = 1'-0"



21 BAR SECTION
A401



22 BAR
Scale: 1/4" = 1'-0"